

SRD-99

Data Recorder Type SRD-99



Data recorder SRD-99 designed for recording and display of present or averaging values, and presentation various technological parameters by diagram of trends. The instrument has got max. 8 measuring inputs: sensors Pt 100/500/1000 or current signals 0/4-20 mA; 1 impulse input (digital) operating process of recording and 1 USB input Host for data storing in the flash memory (input is not designed for direct connection of register with PC). Internal analog-digital transmitter has got resolution 16 bits, which gives a big effect resolution of recording. Additionally there is the possibility of alphanumeric description (vocabulary) individually for each recording channels. The various language versions assisted by full descriptions and configuration software SRD-Toolkit cause that process of instrument programming is easy.

- Possibility of connecting several recorders in one net, remote collecting data,
- Direct diagram of trends separately for each channel,
- Free configuration and recording software,
- Isolated connection of communication RS-485 in standard.
- Recording of results with present alarm signaling of overflow,
- Communication with super-ordinated system, record on memory cards.

Technical specification

Voltage:

- 19V ÷ 50V DC; 16V ÷ 35V AC
- 85 ÷ 260V AC/DC

Power input:typical 7 VA; max. 12 VA

Display:

- graphical LCD, illuminated 128 x 64 points

Measuring inputs:

- at choice 1, 4 or 8 inputs Pt 100, 500, 1000 (configuration 2-, or 3-wire) or 0/4 - 20 mA; common ground

Measuring range:

- ± 9999 + comma (current input); -100°C ÷ +600°C (inputs RTD) with resolution 0,1°C

Accuracy of measurement:± 0,25% ± one figure

Digital input:1 input 24 V,

Output of sensors supply:

- 24 V DC ± 5% (max. 200 mA for current inputs, max. 50 mA for inputs type Pt), not separated from inputs of measurement

Junction of communication:

- RS-485 or input USB Host, galvanic separated

Report of transmission:MODBUS RTU

Speed of transmission:1200 ÷ 115200 bit/sek.

Memory of data:

- 2 MB (above 500 000 measurements) in version with interface RS-485;
- 8 MB (above 2 000 000 measurements) in version with RS-485 and USB Host

Internal protection:

- Version without USB:
 - IP 40 (front)
 - IP 65 (front after use of additional frame)
- Version with USB:
 - IP 20,
 - IP 42 (after use of transparent door with key - type STD-99, look at: optional accessories)

Operation temperature:0°C ÷ +50°C

Storage temperature:-10°C ÷ +70°C

Dimensions:96 x 96 x 100 mm

Dimensions of mounting hole: .90,5 x 90,5 mm

Mounting depth:min. 102 mm

Thickness of table plate:max. 5 mm

Ordering Information

SRD-99	A	B	C	D	E								
--------	----------	----------	----------	----------	----------	--	--	--	--	--	--	--	--

A Voltage	
S1	19 – 50 VDC
S2	16 – 35 VAC
S3	85 – 260 VAC

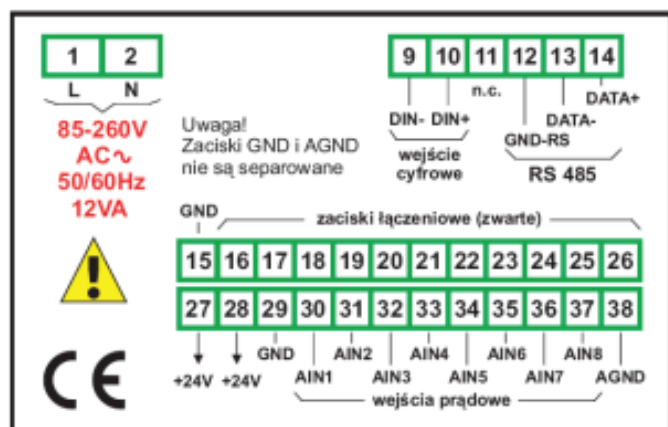
B Type of inputs	
WA	Analog input 0/4 – 20 mA
RTD	Input RTD (Pt100, Pt500, Pt1000)

C Number of inputs	
1	1 input
4	4 input
8	8 input

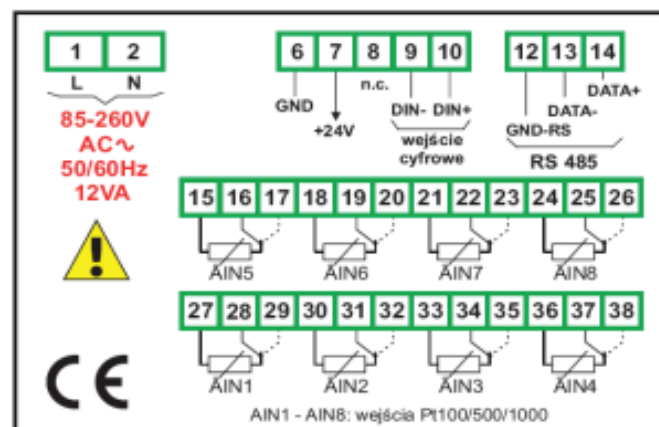
D Interface	
RS485	Interface in series RS485
USB	Interface USB

E Additional accessories	
U/4	Converter SRS-U/4-Z45 (USB/RS-485)
2/4	Converter SRS-2/4-Z45 (RS-232/RS-485)
D	Door with key STD-99 (IP 42)

EXAMPLE OF PROPER CONNECTION



Version with current inputs



Version with PT inputs

Ordering Example

SRD-99-S3-WA-8-USB-D

stands for: Data recorder SRD-99, power supply 230 V (85 – 260 V), 8 analog inputs, interface USB with additional transparent door with key